

## Stainless Steel- Three lobe knobs

Material AISI 303 (A1)

### SPECIFICATION

#### Types

- Type **A**: without bore
- Type **E**: with threaded blind bore
- Type **D**: with threaded through bore
- Type **C**: with plain blind bore H7

Stainless Steel AISI 303 (A1)  
matte shot-blasted

### INFORMATION

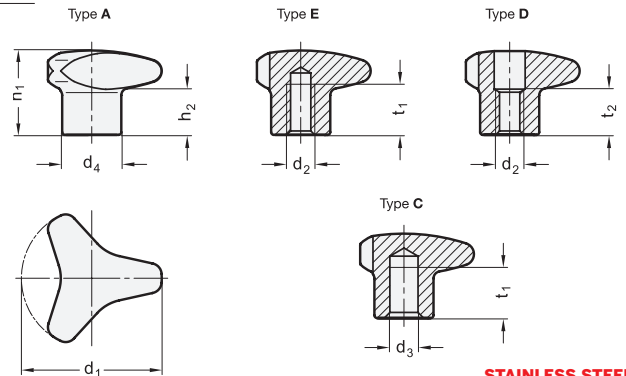
Stainless Steel-Three lobe knobs GN 5345 have a smooth and sealed surface. They are particularly suitable for use where hygiene requirements are high. Their shape allows relatively high torques to be applied.

### ON REQUEST

- highly polished (PL) (only type D and E)

### TECHNICAL INFORMATION

- Cross holes GN 110 (see page A17)
- ISO-Fundamental Tolerances (see page A21)
- Stainless Steel characteristics (see page A26)



**STAINLESS STEEL**

### GN 5345

Description	d1	d2	d3 H7	d4	h1	h2	t1 min.	t2	△
GN 5345-25-A	25	-	-	12	16	8	-	-	21
GN 5345-32-A	32	-	-	15	21	11	-	-	44
GN 5345-40-A	40	-	-	18	26	15	-	-	76
GN 5345-50-A	50	-	-	21	30	17	-	-	127
GN 5345-60-A	60	-	-	25	35	18	-	-	216
GN 5345-40-B8-C	40	-	B 8	18	26	15	15	-	70
GN 5345-50-B10-C	50	-	B 10	21	30	17	18	-	114
GN 5345-60-B12-C	60	-	B 12	25	35	18	22	-	195
GN 5345-25-M5-D	25	M 5	-	12	16	8	-	11	19
GN 5345-32-M6-D	32	M 6	-	15	21	11	-	13	40
GN 5345-40-M6-D	40	M 6	-	18	26	15	-	13	70
GN 5345-40-M8-D	40	M 8	-	18	26	15	-	13	67
GN 5345-50-M8-D	50	M 8	-	21	30	17	-	16	115
GN 5345-50-M10-D	50	M 10	-	21	30	17	-	16	109
GN 5345-60-M10-D	60	M 10	-	25	35	18	-	20	193
GN 5345-60-M12-D	60	M 12	-	25	35	18	-	20	185
GN 5345-25-M5-E	25	M 5	-	12	16	8	10	-	20
GN 5345-32-M6-E	32	M 6	-	15	21	11	12	-	41
GN 5345-40-M6-E	40	M 6	-	18	26	15	12	-	74
GN 5345-40-M8-E	40	M 8	-	18	26	15	15	-	70
GN 5345-50-M8-E	50	M 8	-	21	30	17	15	-	119
GN 5345-50-M10-E	50	M 10	-	21	30	17	18	-	115
GN 5345-60-M10-E	60	M 10	-	25	35	18	18	-	202
GN 5345-60-M12-E	60	M 12	-	25	35	18	22	-	195